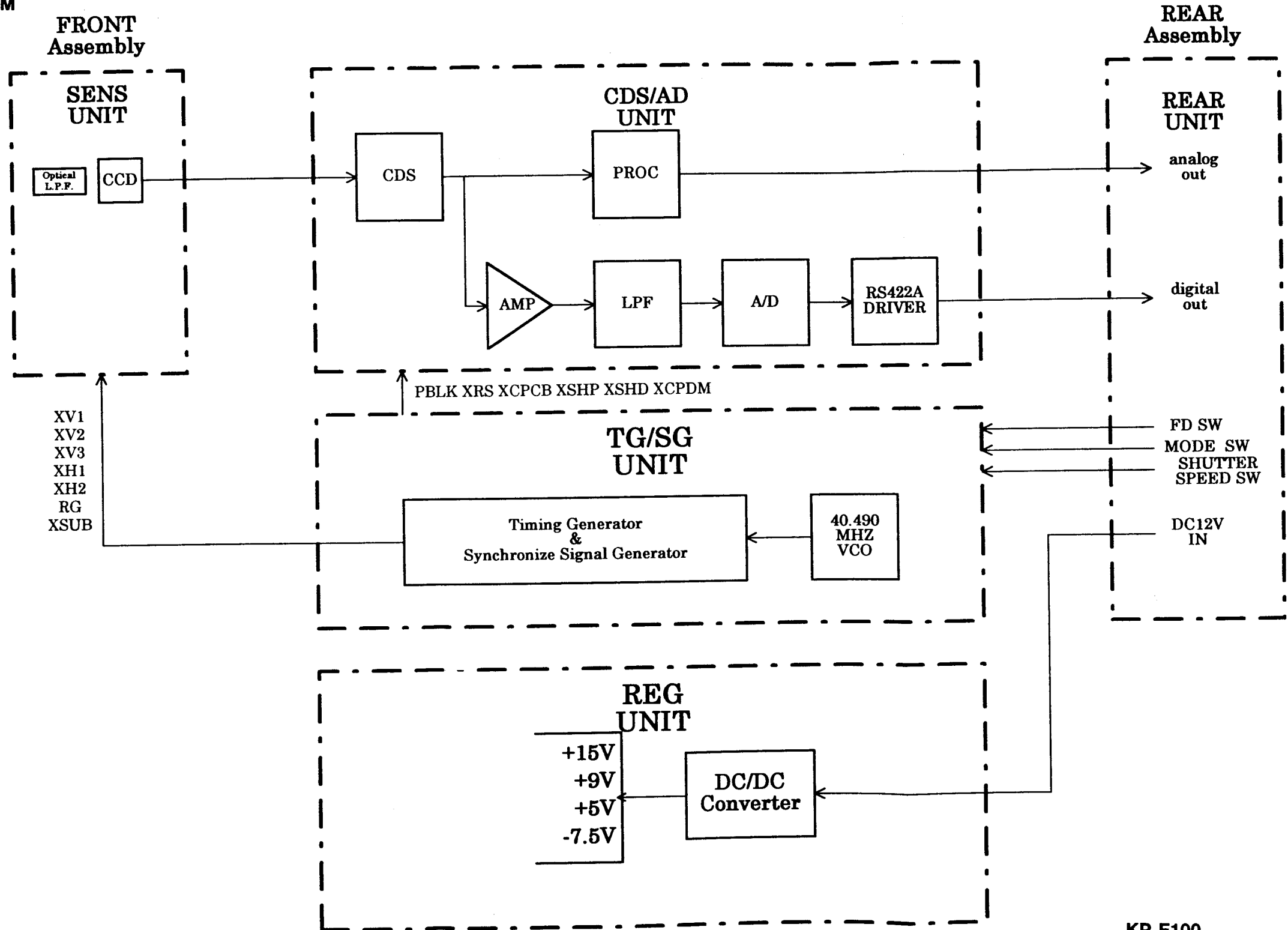
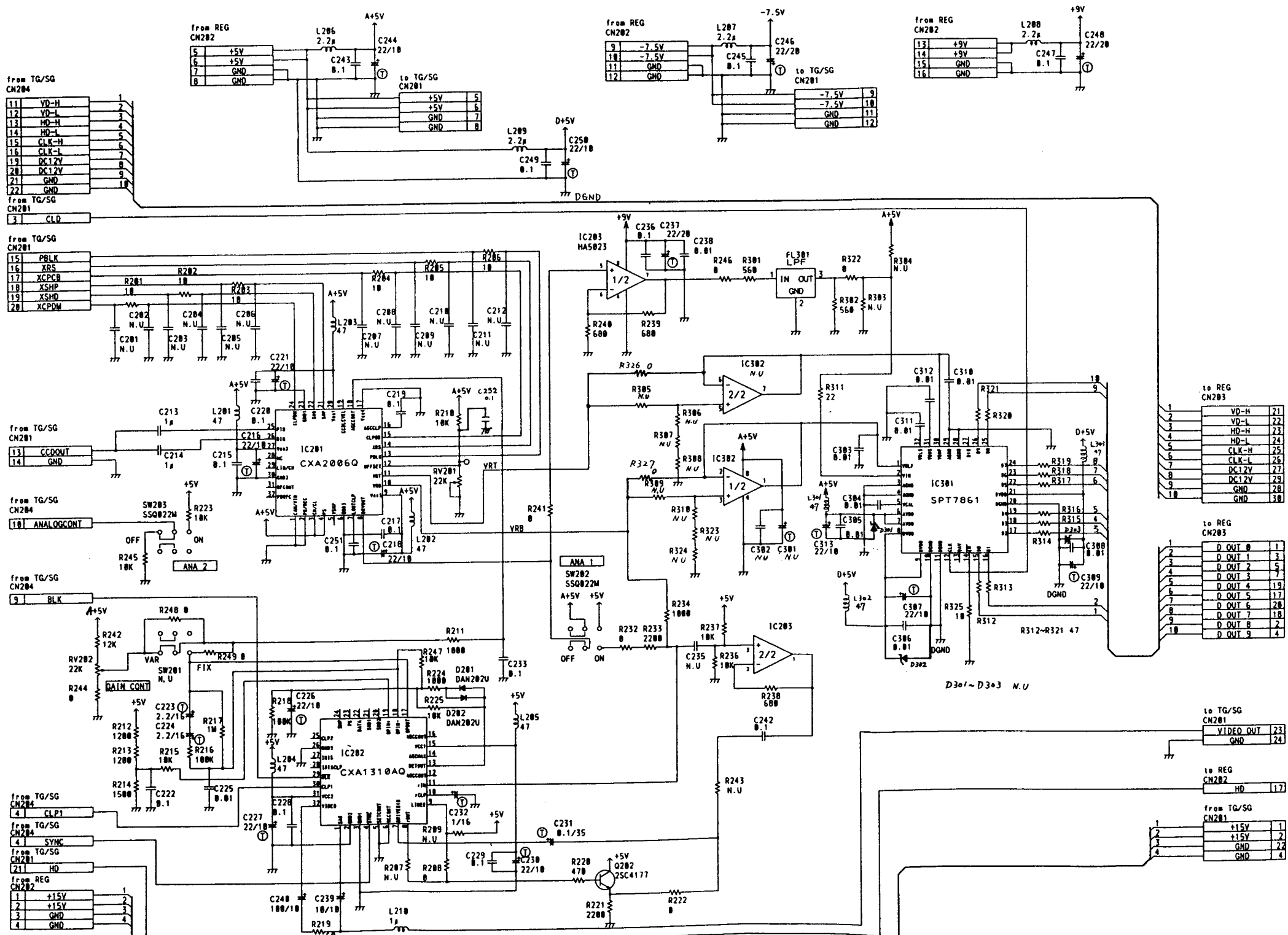


**BLOCK DIAGRAM**

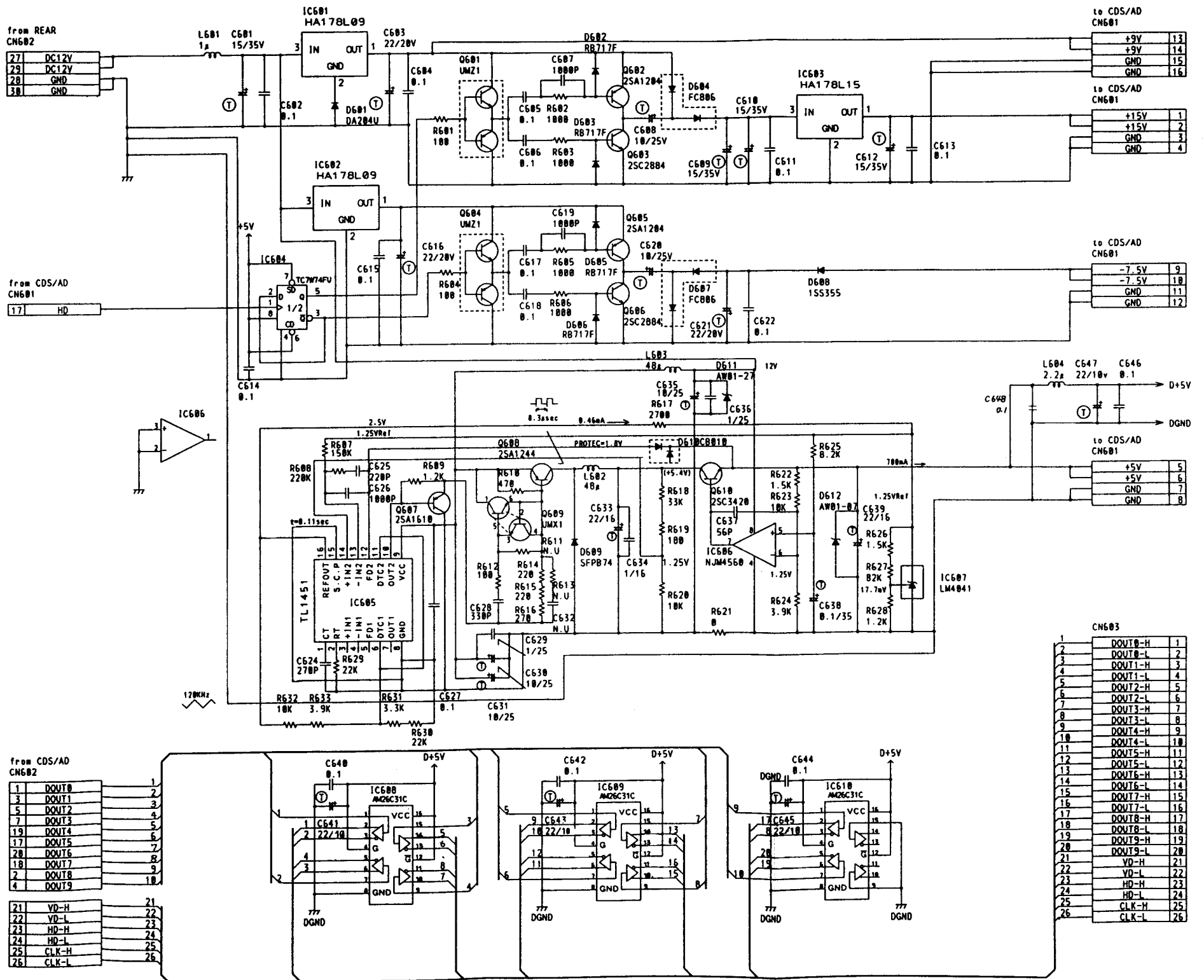


**KP-F100  
SYSTEM  
BLOCK DIAGRAM**



**KP-F100  
CDS/AD UNIT  
SCHEMATIC DIAGRAM**

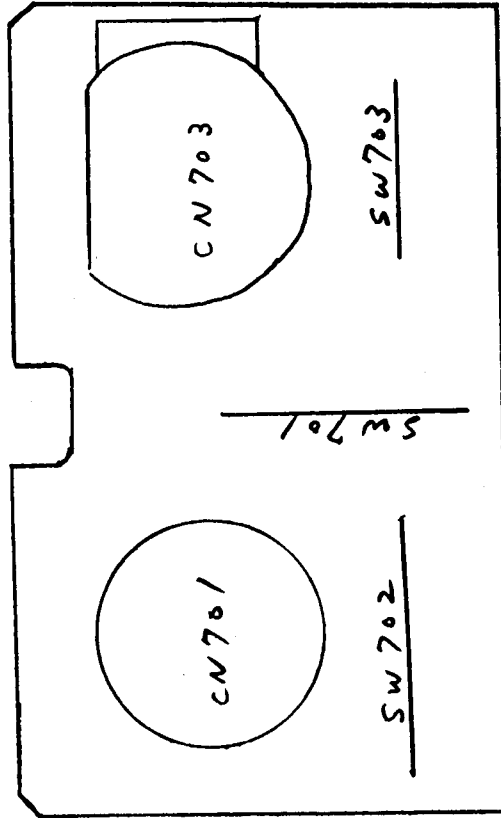
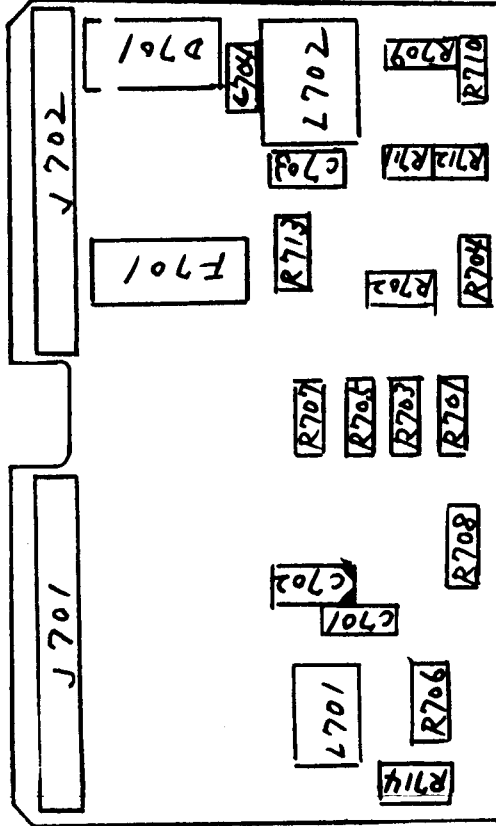
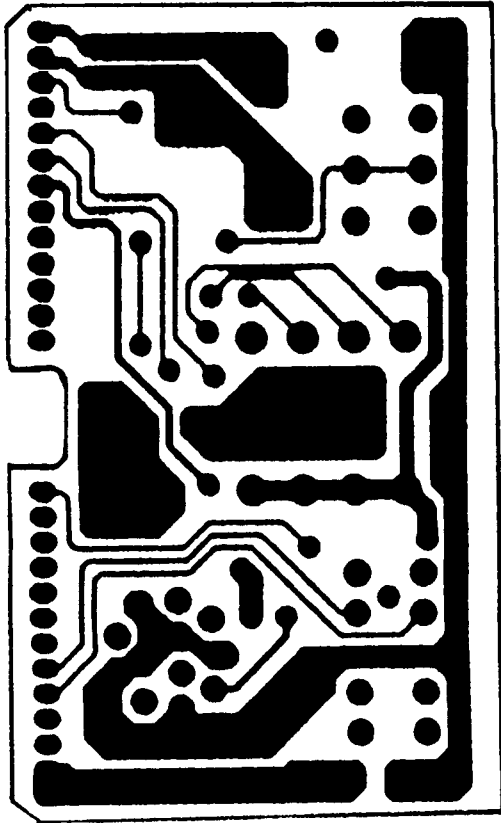
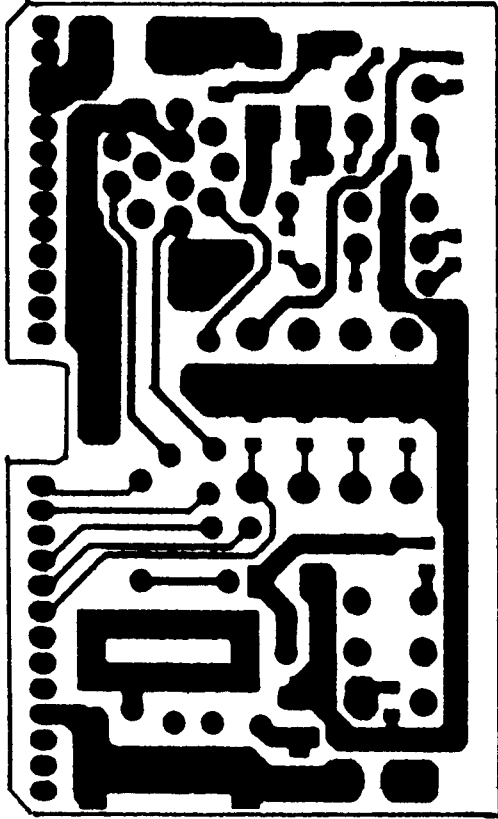




CN603		
1	DOUT0-H	1
2	DOUT0-L	2
3	DOUT1-H	3
4	DOUT1-L	4
5	DOUT2-H	5
6	DOUT2-L	6
7	DOUT3-H	7
8	DOUT3-L	8
9	DOUT4-H	9
10	DOUT4-L	10
11	DOUT5-H	11
12	DOUT5-L	12
13	DOUT6-H	13
14	DOUT6-L	14
15	DOUT7-H	15
16	DOUT7-L	16
17	DOUT8-H	17
18	DOUT8-L	18
19	DOUT9-H	19
20	DOUT9-L	20
21	VD-H	21
22	VD-L	22
23	HD-H	23
24	HD-L	24
25	CLK-H	25
26	CLK-L	26

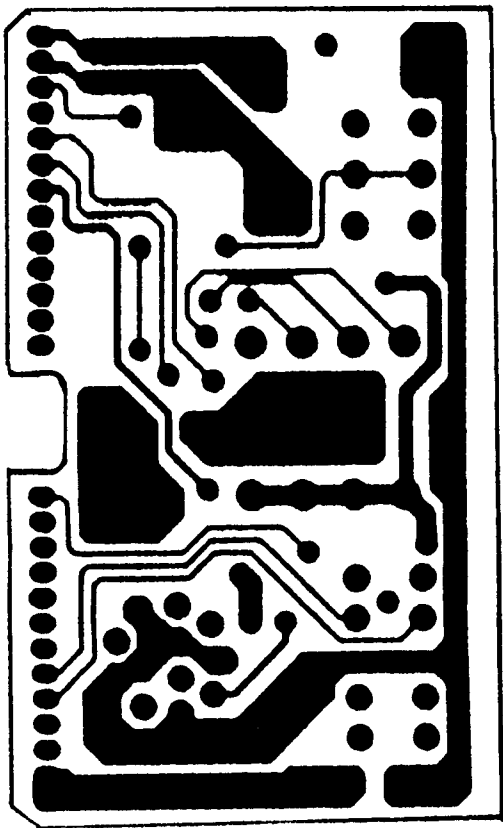
**KP-F100  
REG UNIT  
SCHEMATIC DIAGRAM**

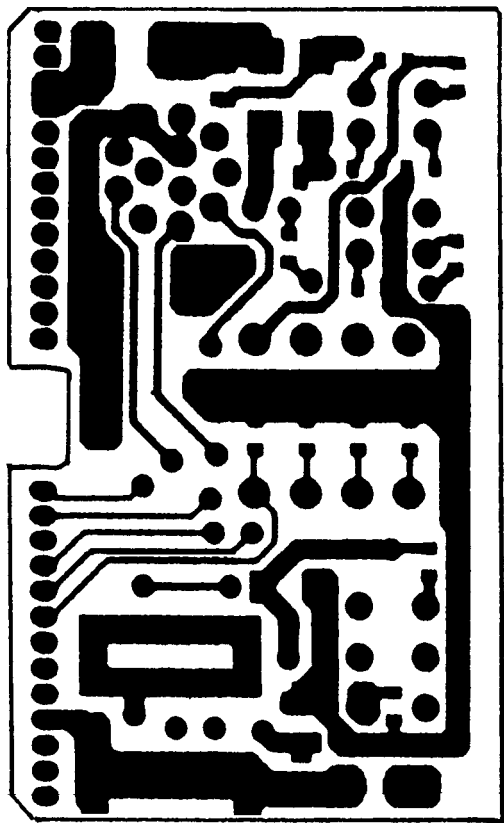
# HITACHI KP-F100

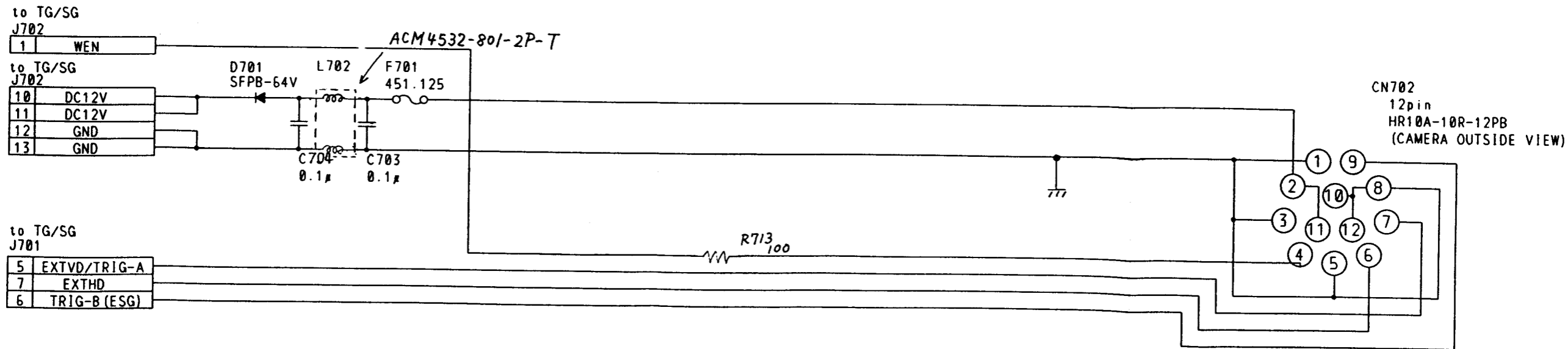
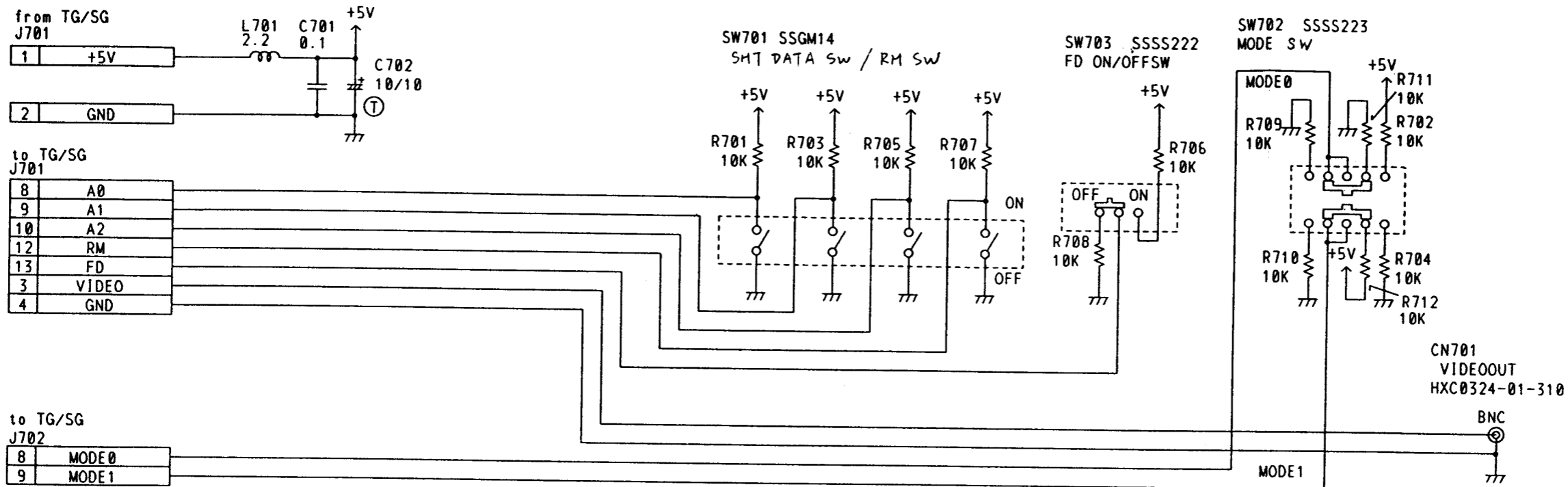


REAR Board B Side

REAR Board A Side

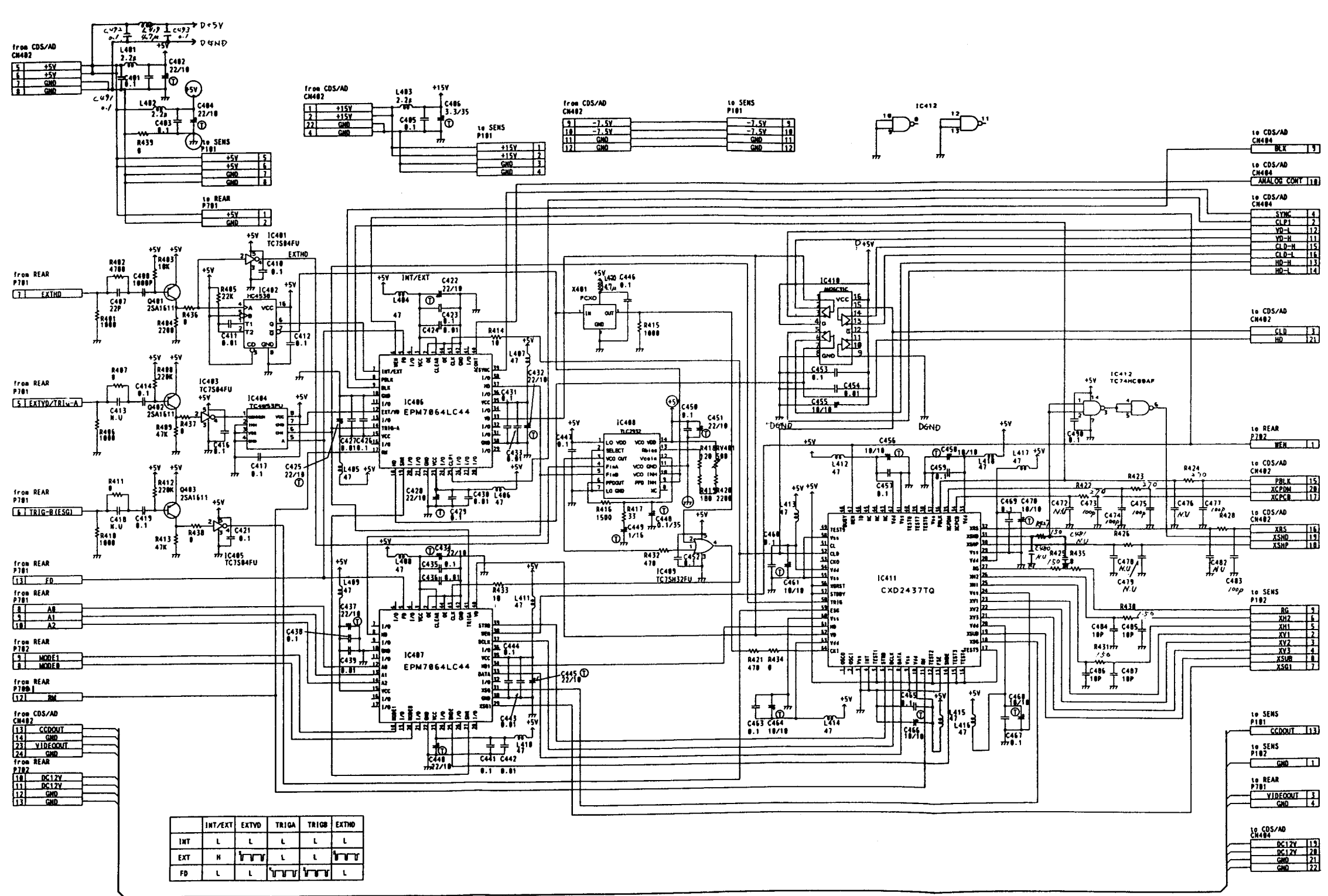






**KP-F100  
REAR UNIT  
SCHEMATIC DIAGRAM**





	INT/EXT	EXTVD	TRIGA	TRIGB	EXTND
INT	L	L	L	L	L
EXT	H		L	L	
FD	L	L			L

- to CDS/AD CN484
  - BLK 1
- to CDS/AD CN484
  - ANALOG CONT 10
- to CDS/AD CN484
  - SYNC 4
  - CLP1 2
  - VD-L 11
  - VD-H 11
  - CLD-H 15
  - CLD-L 16
  - HD-H 13
  - HD-L 14
- to CDS/AD CN482
  - CLD 3
  - HD 21
- to REAR P702
  - WEN 1
- to CDS/AD CN482
  - PBLK 15
  - XCPDM 28
  - XCPGR 17
- to CDS/AD CN482
  - XRS 16
  - XSHD 19
  - XSHF 18
- to SENS P102
  - RG 9
  - XH2 6
  - XH1 5
  - XV2 3
  - XV1 4
  - XSHR 8
  - XSG1 7
- to SENS P101
  - CGDOUT 13
- to SENS P102
  - GND 1
- to REAR P701
  - VIDEOOUT 3
  - GND 4
- to CDS/AD CN484
  - DC12V 19
  - DC12V 28
  - GND 21
  - GND 22

**KP-F100  
TG/SG UNIT  
SCHEMATIC DIAGRAM**